

# trusscore

material + science



## Trim Brochure

Wall&CeilingBoard / SlatWall / RibCore

# Our Trims

Trims add the perfect touch to any project by providing a functional and distinctive design element—bringing your project to life. Trusscore provides a comprehensive assortment of trims to meet all your project needs. At Trusscore, ease of installation is one of our core principles; that’s why we’ve added snap-in trims to our trim portfolio. Snap-in trims make installation a breeze for do-it-yourselfers and contractors alike by making the process quicker and easier. Before you start your next project, familiarize yourself with the Trusscore trim options available, and make your project clean, beautiful, and secure.

## Contents

J Trim.....	3
H Channel Snap-In Trim Kit.....	3
Inside Cove Corner.....	4
Outside Corner Rounded.....	4
Outside Corner.....	5
Base Trim .....	5
F Trim.....	6
45° H Channel .....	6
SlatWall Top Cap.....	7
Trim Overview .....	7
Snap-In Trims .....	8
Installation.....	8

## Warranty

For more information on product warranty please visit [trusscore.com/warranty](http://trusscore.com/warranty)

# J Trim

J Trim is our most versatile trim. It's used with multiple products and can be used in a variety of applications.

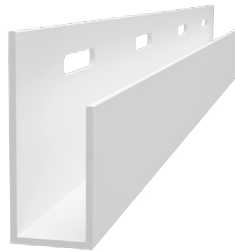


Use this trim for:

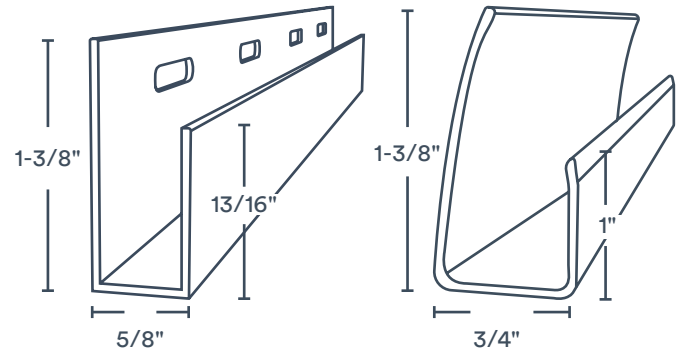
- Top/bottom of walls
- Window/door perimeter
- Inside corners
- SlatWall framing

## Product #

- 1/2" White - J Trim - TCT12J10
- 1/2" Gray - J Trim - GTCT12J10
- 3/4" White - J Trim - RCT34J10
- 3/4" Gray - J Trim - GRCT34J10



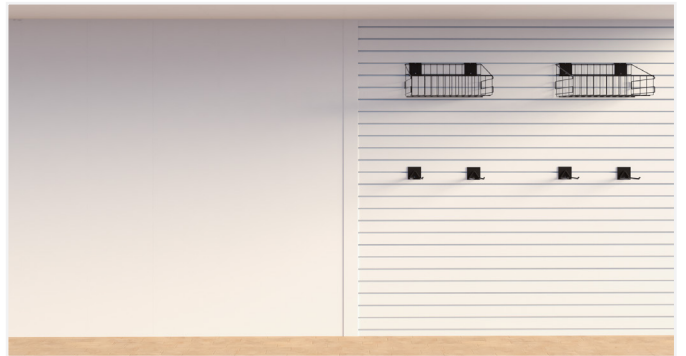
Pieces per carton: 50  
Length: 10'



System Compatibility		
Wall&CeilingBoard	SlatWall	RibCore
(1/2")	(3/4")	(3/4")

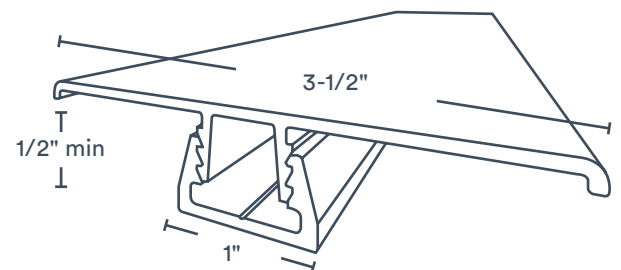
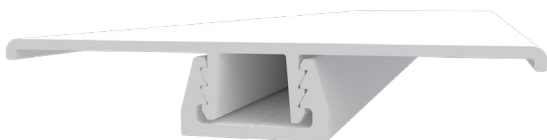
# H Channel Snap-In Trim Kit

The H Channel Trim is designed to safely accommodate any panel expansion or contraction in a safe way that preserves the beauty of your project.



Use this trim for:

- Panel joints
- Product transitions



## Product #

- White - TLT58WTC10K
- Gray - GTLT58HC10K
- Pieces per carton: 20
- Length: 10'

System Compatibility		
Wall&CeilingBoard	SlatWall	RibCore
✓	✓	✓

# Inside Cove Corner

Our cove style inside corner is a clean and stylish option to complete the inside corners on your project.

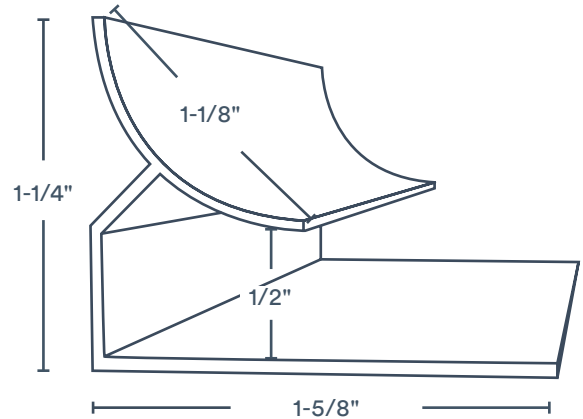
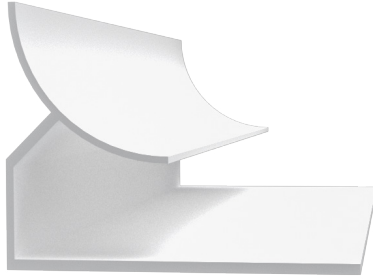
Use this trim for:

- Inside corners
- Top/bottom of wet walls

**Product #**

White - TCT12IC10  
 Gray - GTCT12IC10

**Pieces per carton: 25**  
**Length: 10'**



System Compatibility		
Wall&CeilingBoard	SlatWall	RibCore
✓	✓	X

# Outside Corner Rounded

Rounded outside corners are designed to form smooth, bullnosed outside corners for applications that require a softer touch.

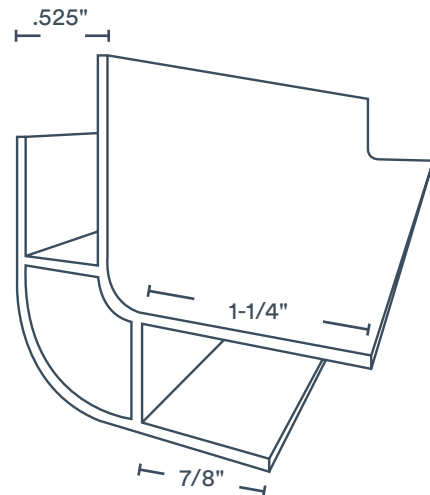
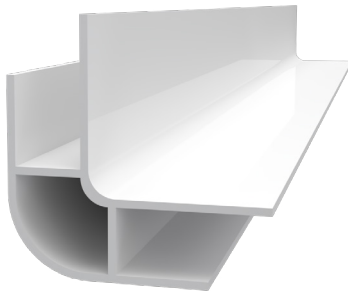
Use this trim for:

- Outside corners

**Product #**

White - TCT12IO10  
 Gray - GTCT12IO10

**Pieces per carton: 15**  
**Length: 10'**



System Compatibility		
Wall&CeilingBoard	SlatWall	RibCore
✓	X	X

# Outside Corner

Outside corners are a standard for any wall installation. These tried-and-true trims neatly complete any wall.

Use this trim for:

- Outside corners
- Window trim

**Product #**

**Small (1-1/4"x1-1/4")**

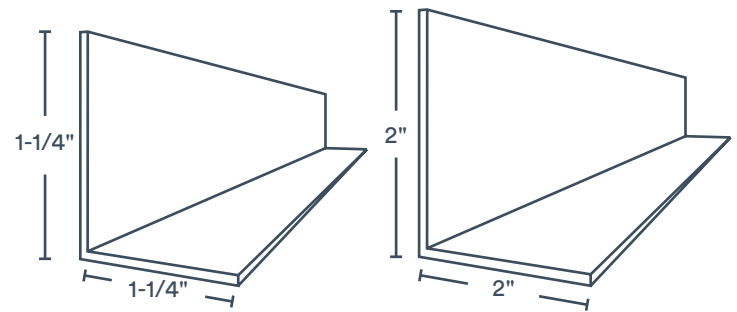
White - TCT12OC10

Gray - GTCT12OC10

**Large (2"x2")**

White - TCT12LOC10

Gray - GTCT12LOC10



Small

Large

**Pieces per carton:** 50 Sm/25 Lg  
**Length:** 10'

System Compatibility		
Wall&CeilingBoard	SlatWall	RibCore
✓	X	X

# Base Trim

A transition trim that can be used to address the transition between wall panels and a concrete floor of a room.

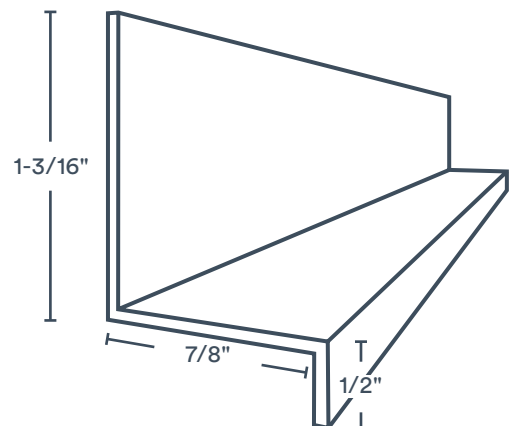
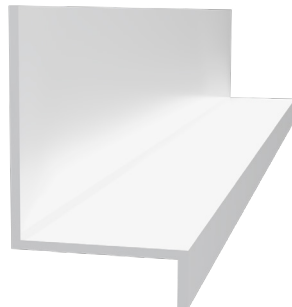
Use this trim for:

- Bottom wall transitions

**Product #**

White - TCT12BT10

Gray - GTCT12BT10



**Pieces per carton:** 50  
**Length:** 10'

System Compatibility		
Wall&CeilingBoard	SlatWall	RibCore
✓	X	✓

# F Trim

F trim is designed for specialized Wall&CeilingBoard applications that include soffit or bulkheads. For RibCore, it will complete your corners.

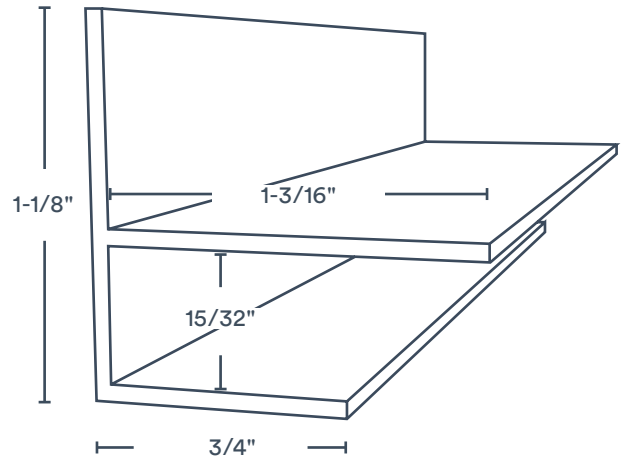
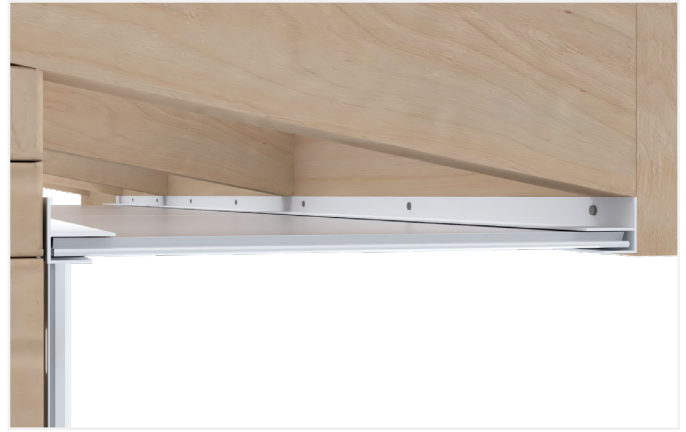
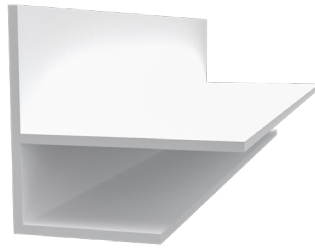
Use this trim for:

- Soffit/bulkhead transitions
- RibCore inside/outside corners

**Product #**

- 1/2" White - TCT12F10
- 1/2" Gray - GTCT12F10
- 3/4" White - RCT34IC10

**Pieces per carton: 50**  
**Length: 10'**



System Compatibility		
Wall&CeilingBoard	SlatWall	RibCore
✓	X	✓

# 45° H Channel

45° H Channel is perfect for instances where two walls come together at an angle, allowing installers to adequately cover the transition between panels.

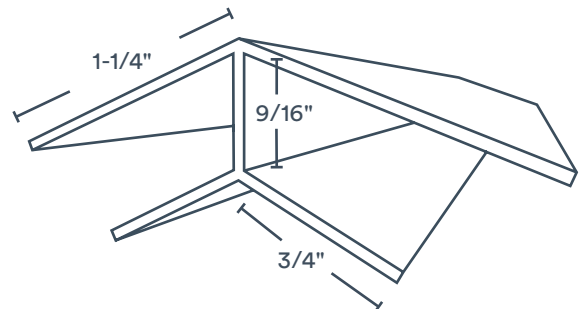
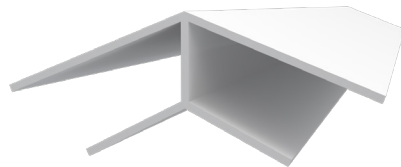
Use this trim for:

- Wall to ceiling transition
- Ceiling to ceiling transitions

**Product #**

- White - TCT124510
- Gray - GTCT124510

**Pieces per carton: 25**  
**Length: 10'**



System Compatibility		
Wall&CeilingBoard	SlatWall	RibCore
✓	X	X

# SlatWall Top Cap

Top caps provide a clean finish to the top of a SlatWall panel assembly. This prevents dust and dirt from accumulating behind your SlatWall panels.

Use this trim for:

- Top of SlatWall installations



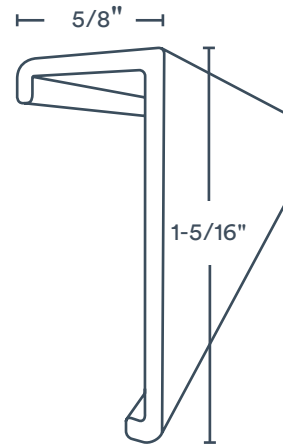
## Product #

White - TLT58J08

Gray - GTLT58TC08










Pieces per carton: 50

Length: 8'



System Compatibility		
Wall&CeilingBoard	SlatWall	RibCore
X	✓	X

## Trim Overview

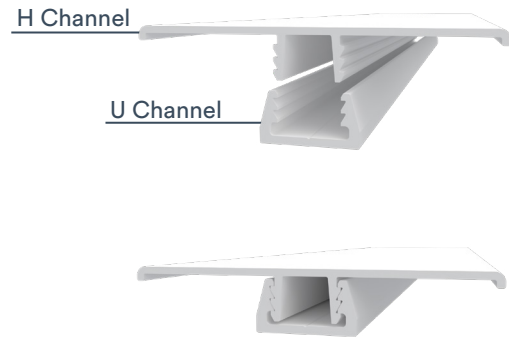
	Size	Pieces/ Carton	Design	Wall&CeilingBoard	SlatWall	RibCore
J Trim	10'	50		✓	✓	✓
Inside Cove Corner	10'	25		✓	✓	X
H Channel Snap-In Kit	10'	20		✓	✓	✓
Outside Corner	10'	25 or 50		✓	X	X
Outside Corner Rounded	10'	15		✓	X	X
F Trim	10'	50		✓	X	✓
Base Trim	10'	50		✓	X	✓
45° H Channel	10'	25		✓	X	X
SlatWall Top Cap	8'	50		X	✓	X

# Snap-In Trims

## The newest addition to the Trusscore trim lineup.

Trusscore's Snap-in trims are the latest evolution in our products. Designed to offer a quicker, easier, and more accurate installation experience, we're confident that installers will love the improvements they bring to their job site.

- Superior installation experience
- Install trims 2 times faster
- Easily determine accurate installation position of trim on the wall
- Easily ensure proper expansion and contraction spacing between trim and board
- Quickly review and inspect board spacing by detaching the cap after project completion
- Durable design that will last



## Installation

### Fasteners

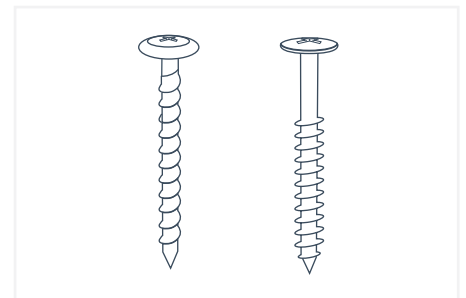
Wood – #10 x 1-1/4" Truss or Pancake Head screws  
Concrete – 3/16" x 1-1/4" Flathead screw (Tapcon)

Use only corrosion-resistant (galvanized, stainless steel or aluminum) screws with a minimum head diameter of 3/8". The recommended fastener length is 1-1/4" for wood studs or masonry, 1-1/2" or 2" for drywall installation, and 2-1/2" if furring strips are used for strapping.

Large & Small Outside Corners are the exception. They are installed with silicone caulk adhesive to avoid visible fasteners.

### Cutting

Tin snips are the safest and easiest tool to use when cutting trims. For a cleaner cut, avoid closing the blades at the end of a stroke.



### Spacing

It is essential that a minimum of 1/4" clearance is left at the ends of all panels and trims to allow for expansion and contraction.



### Install Order

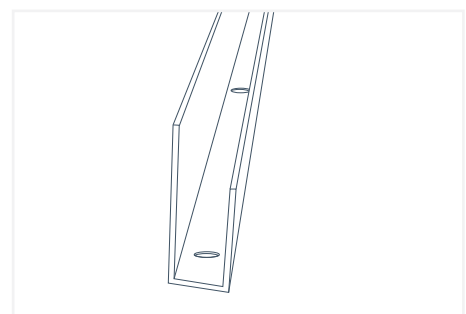
When installing walls, the following trims should be installed before the panels:

- Bottom of wall – J Trim or Base Trim
- Top of wall – J Trim or Inside Cove Corner
- Perimeter of doors and windows – J Trim

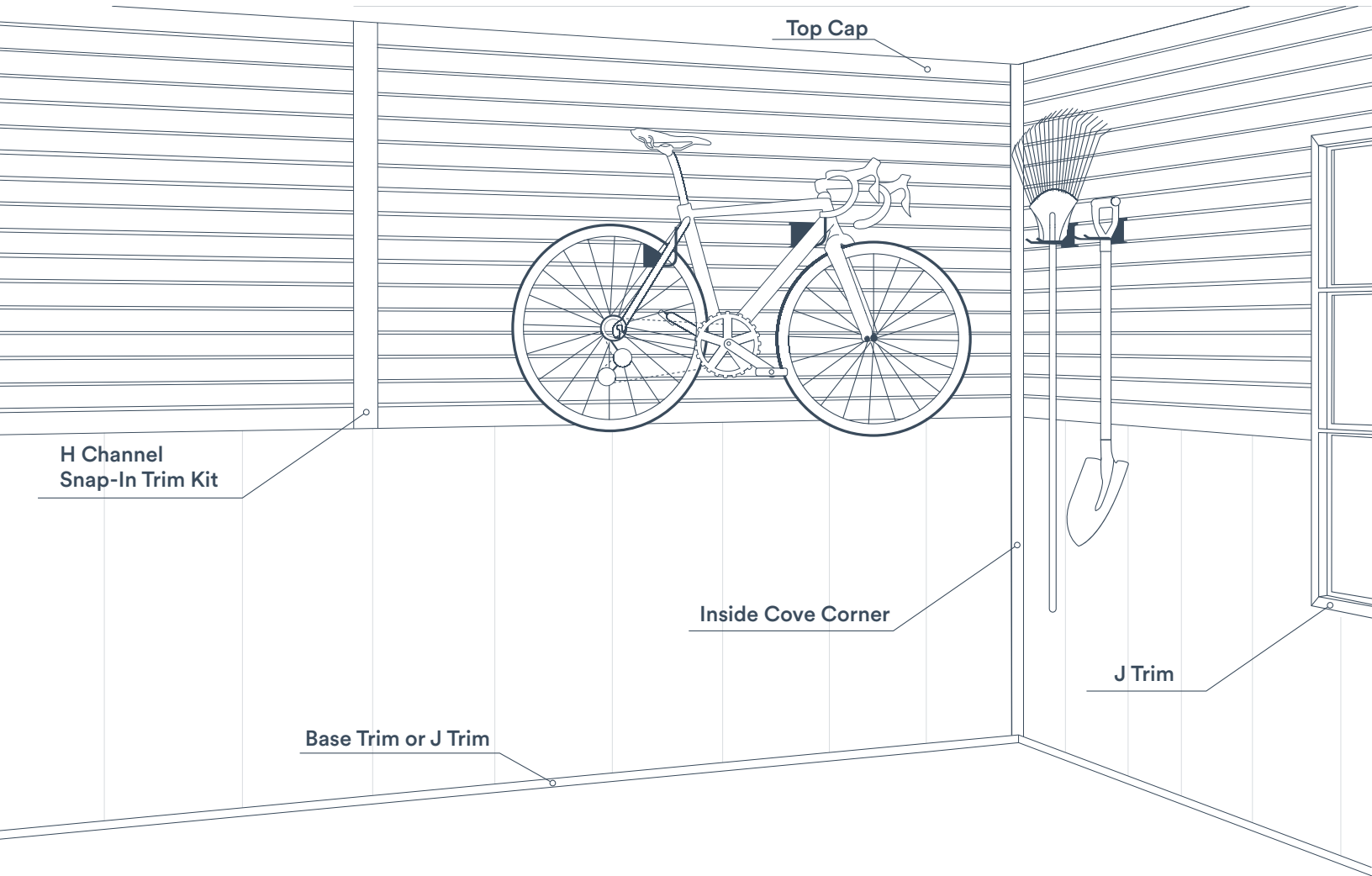
Large & Small Outside Corners must be installed after your panels.

### Wet Applications (Carwash, Etc.)

Base trim should be used at the bottom of walls in wet applications. Alternatively, J Trim can be used if 1/4" diameter holes are drilled every 16" in the bottom of the trim for drainage.







Top Cap

H Channel  
Snap-In Trim Kit

Inside Cove Corner

Base Trim or J Trim

J Trim



trusscore.com



Learn more about Trusscore  
trusscore.com | hello@trusscore.com | 1.888.418.4679

Copyright © 2021 Trusscore Inc. Trusscore is a trademark of Trusscore Inc.  
Specifications are subject to change. T-BR105-003 11/2021